

Ditch Check

Installation Instructions *Erosion Control and Filtration*

Ditch Check filter instructions are provided as a guideline for installation in most applications. Our patented Ditch Check is not suitable for very rocky locations. Please ask us for technical assistance on custom designs, layouts, or applications.

Site Evaluation:

- Ensure ground is suitable for trenching (dig and backfill).
- The Ditch Check should be orientated with the open side facing the direction of water flow, extending up the bank.
- The length of chosen ditch check should extend a minimum of 2 feet past the high water elevation on either side.
- The length should be sized appropriately to allow for irregularities and bank height.
- Verify the height of the Ditch Check is less than 80% of the height of the receiving inlet or water level (see Fig 1).

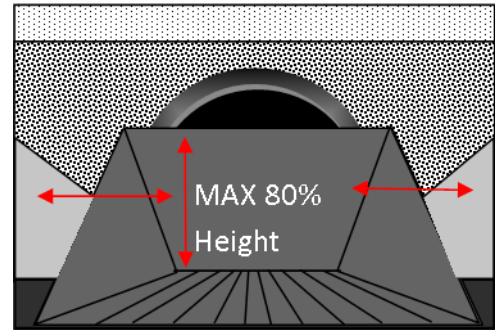


Fig 1

Trench Anchoring:

Step 1: Ensure ground is suitable for trenching and orient the ditch check and match to site plans for measurements.

Step 2: Mark trench line. Set Ditch Check aside and dig in a continuous line to 12 inches depth and 4 to 8 inches wide along the edge of the Ditch Check. Save dirt for backfill (see Fig 2). We recommend using a trencher.

Step 3: Re-orient Ditch Check with wide openings along the length facing toward you. Using provided stakes, anchor corners of ditch check in place.

Step 4: Place gravel or other stable fill material into cell anchor pockets (see Fig 3).



Fig 2



Fig 3

Ditch Check

Installation Instructions *Erosion Control and Filtration*

Step 5: “Pin” filled pockets in place with provided pegs at every other hopper where marked on the Ditch Check above the fill pockets. More frequency may be needed for high-flow areas (see Fig 4).

Step 6: Set downstream anchoring tabs with provided stakes/pegs where marked on the Ditch Check (see Fig 5).

For easy, periodic maintenance, use the loop handles on the downstream side of the Ditch Check to remove sediments and debris for disposal.



Fig 4



Fig 5

**The Taurus Ditch Check is a patented design invented by GEI Works.
U.S. Patent No. 10,196,283 B2**

For more complete information on GEI Works products and solutions, visit us on the Web at www.geiworks.com.

Phone: (+1) 772-646-0597 | info@geiworks.com

©2019 GEI Works. All rights reserved. GEI Works terms and conditions apply.

All photos are representatives only. Actual Product may differ than featured. Materials and specifications are subject to change without notice. Featured products in photos may include additional equipment or accessories. Contact GEI Works for available options.

GEI Works, Mars, Taurus, Triton, Kraken, Orion, Vulcan and geiworks.com, their respective logos, product identity used herein, are trademarks of GEI Works and may not be used without permission.



GEI
WORKS

460-2019-02-19